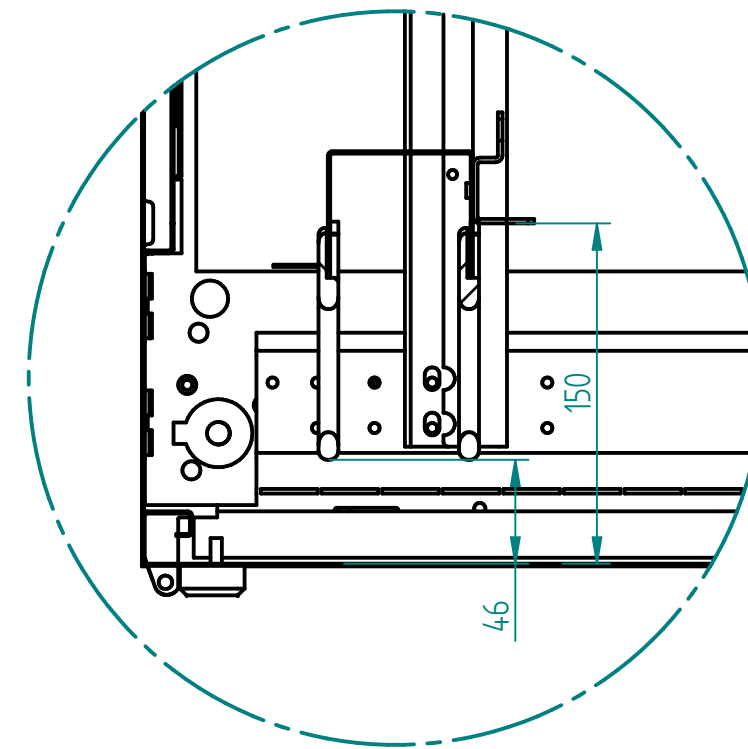
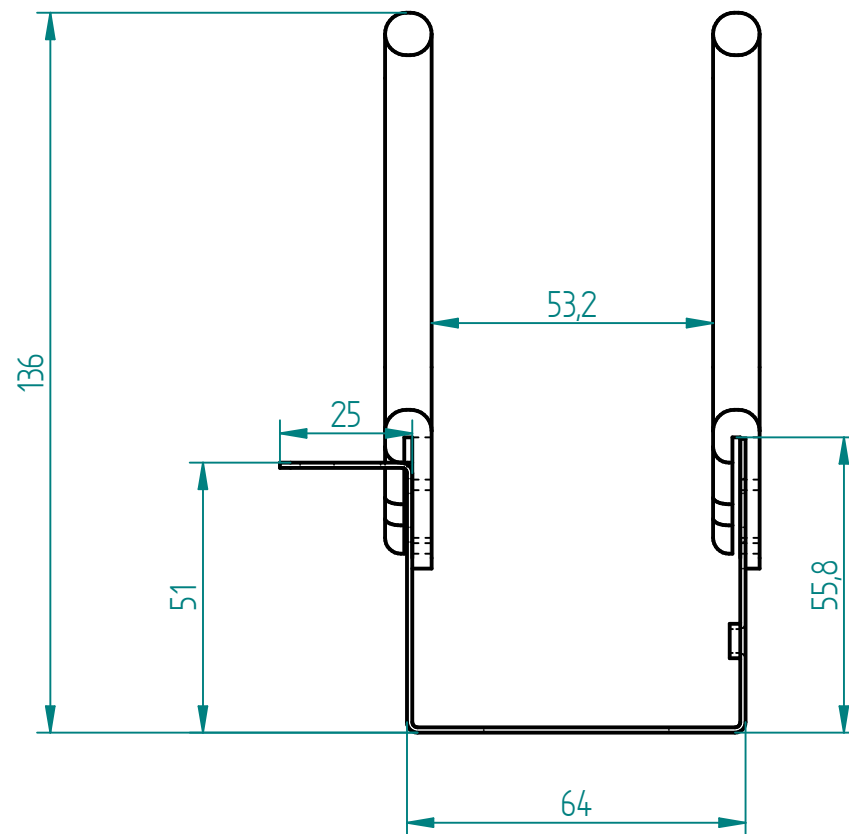


B □EZ A-A



DETAIL B

RAB-VP-H45-X1